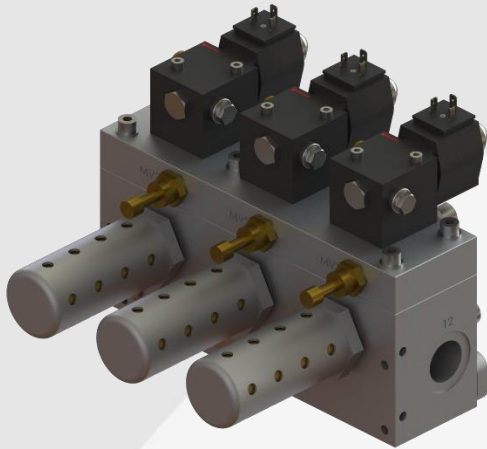


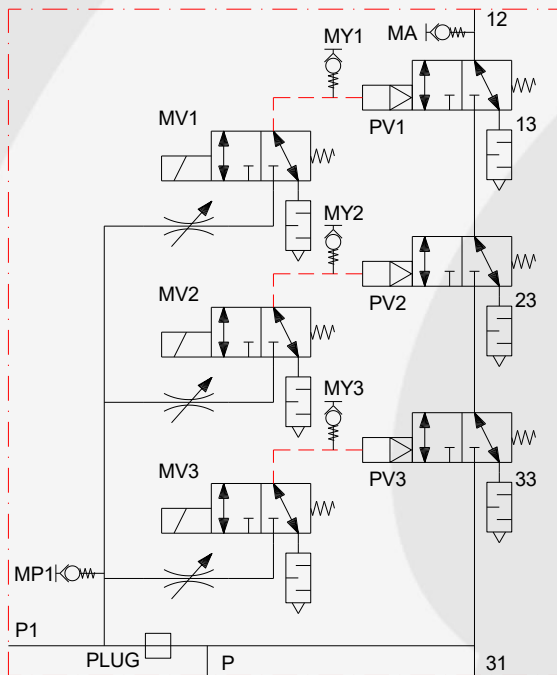


Pneumatic manifold G1-1003-MO 3xNC

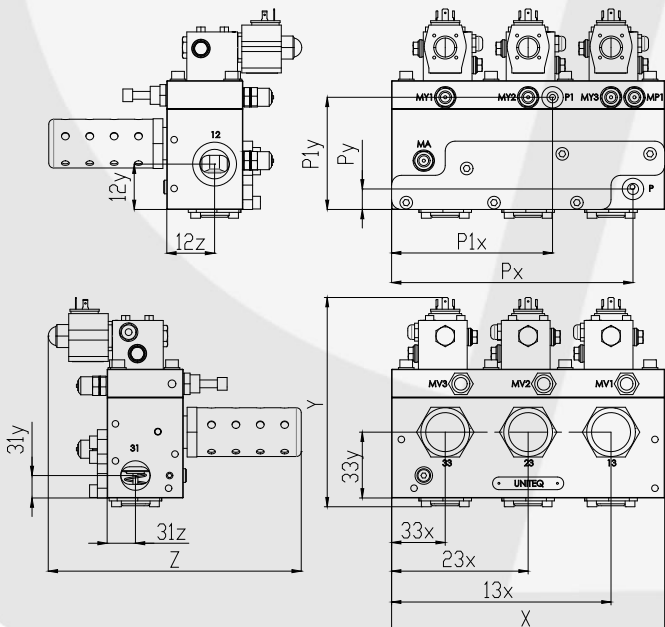
Image



Symbol



Drawing



Technical features

- Suitable for single acting (SA) actuator
- Fail safe open/close function, 1003 (3x NC, power/signal loss)
- Modulating MO or open close O/C (3x NC) function
- SIL3 certified according to IEC 61508
- Suitable for EN1295-10 (TRD421)
- Internal connection prepared for lock-up function
- Operation pressure 0...10 bar (0...145psi)
- Operation temperature -25°C -13°F / +70°C +158°F
- Supplied medium air, filtered non-lubricated and dry
- Equipped with prepared lock-up valve connection (P/P1)
- ATEX implementation suitable

Technical data

Sizes & selection

Port size	Max flow ltr/min	CV	Model
G1	8.000	...	UGP100064

Configuration

Function MO or O/C (3x NC "MV1/MV2/MV3")

Connections

Port (31) main supply connection
 Port (P/ P1) external supply solenoid valve
 Port (12) supply to actuating
 Port (13/23/33) release
 MA/MP1/MY measurement connection

Electric

Power consumption solenoid valves (MV1/MV2/MV3):
 16.9 W, 24 VDC, 703 mA, IP65.
 17.3 VA 230 VAC, 75 mA IP67.

Order codes:

UGP100064-24VDC or UGP100064-230VAC

Sizes

Dimensions

12	13	23	31	33	P	P1
G1	G1	G1	G1	G1	G1/4	G1/4
MA	MY	MP1	PLUG	12y	12z	31y
G1/4	G1/4	G1/4	G1/8	47	49	23
31z	P1y	Py	P1x	Px	33y	33x
29	115	21	165	248	68	55
23x	13x	X	Y	Z		
140	225	280	203	258		

Support connection manifold

4 times holes M8, depth 12mm

Material

Housing Aluminium anodize
 Internal parts Stainless steel, Brass, POM
 Seals NBR / PUR